



CAUTION: Before proceeding, refer to the "Important Regulatory and Safety Notices to Service Personnel" document that was included with your unit. It is also recommended to refer to the *NEWT-IPX User Guide* which is available for download from our website.

Before You Begin

You will need:

- One Phillips #2 screwdriver
- One NEWT-IPX module
- One NEWT-VESA100 Kit

Installing the NEWT-VESA100 to the NEWT-IPX

Before installing the NEWT-IPX on a monitor, you must first install the NEWT-VESA100 bracket to the NEWT-IPX chassis. This bracket is then used to affix the NEWT-IPX to a VESA 100mm compliant mount.

The NEWT-VESA100 bracket includes five pairs of opposing holes and two #6-32 screws. You must determine which pair of holes is required to secure the NEWT-IPX while providing access to the NEWT-IPX and its connectors.

To install the NEWT-VESA100 bracket to the NEWT-IPX

1. Determine where and how the NEWT-IPX will be affixed to the VESA mount on your monitor. Ensure:
 - the NEWT-IPX will not interfere or block any ports, connectors, or other features of the monitor
 - access to the NEWT-IPX connections is available once it is installed on the VESA mount of the monitor
2. Set the NEWT-IPX on a flat, and static-free surface with the logo side down.
3. Use the provided screws to fasten the NEWT-VESA100 bracket to the NEWT-IPX chassis as required. **Figure 1** shows the bracket installed on the long-side of the chassis, while **Figure 2** shows the short-side position.

★ Your installation needs may differ from what **Figure 1** and **Figure 2** depict.

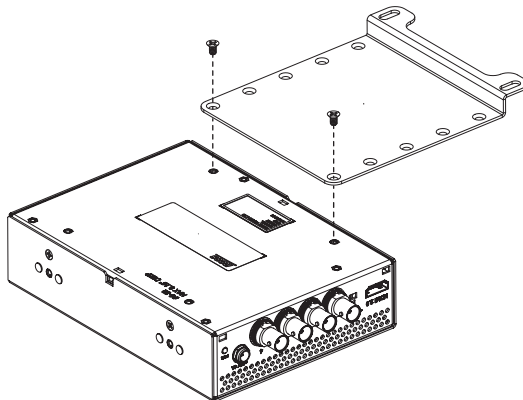


Figure 1 Bracket on the Long-side

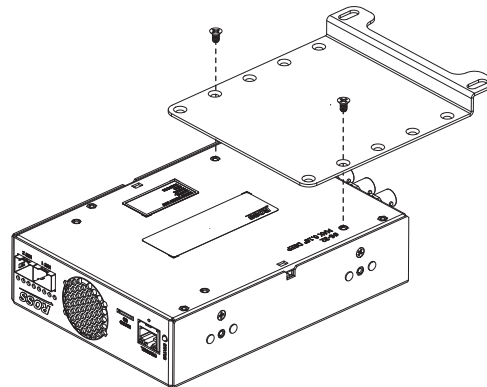


Figure 2 Bracket on the Short-side

Installing the NEWT-IPX to a VESA Mount

The NEWT-VESA100 is designed to be used in a VESA 100mm compliant (flat-back) mount where there are 4 holes at 100mm pitch in a square pattern on the center of a monitor. You will need to use 2 of these 4 holes to affix the NEWT-IPX, via its bracket ears, to the VESA mount on your monitor.

To install the NEWT-IPX to a VESA 100mm mount

1. Install the VESA 100mm mount on the monitor as outlined in its documentation, leaving the two screws aside for the holes that the NEWT-IPX will use. **Figure 3** shows the two left screws (as viewed from the monitor rear).
2. Place the NEWT-IPX bracket over the back of the VESA 100mm mount.

3. Secure the NEWT-IPX to the monitor using the screws that suit your mounting application.
- ★ Ensure your mounting screws accommodate the NEWT-IPX bracket yet still engage with the mount and monitor.

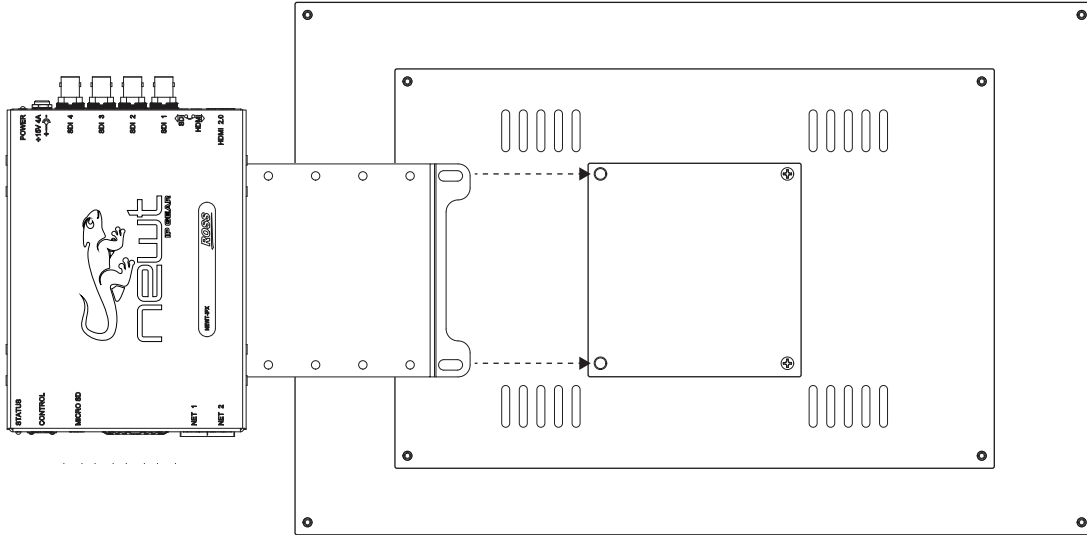


Figure 3 Example of Installing the NEWT-IPX to a VESA 100mm Mount

4. Secure the NEWT-IPX power supply.

Cabling the NEWT-IPX

Refer to the *NEWT-IPX Quick Start Guide* for cabling details and further installation steps.